

EC700-ADN

Intel® Processor N-series/Atom® Processor X Series
Fanless Embedded System



KEY FEATURES



On Board OOB built-in

Hardware status remote control&monitor, BIOS remote setup/update, OS remote recovery, Open-SSH/ UEFI Shell/In-Band Windows support



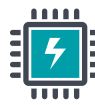
Slim and Fanless

Slim and fanless design for limited-space condition



Intel TCC within the system

Supported by X series CPU and TSN standard up to 2.5GbE.



On Board DDR5 & eMMC Support

LPDDR5 4800 MHz memory down eMMC module –Easy maintenance



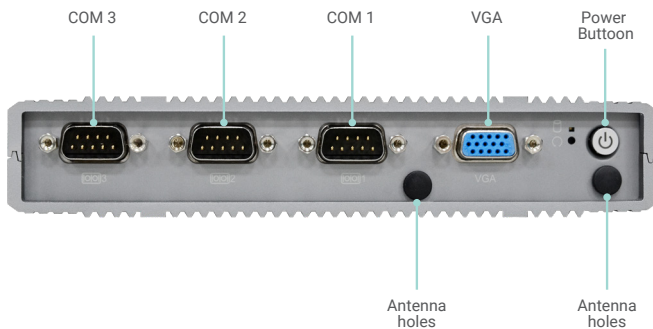
Up to Quad Display Support

Support via VGA/HDMI/USB-C

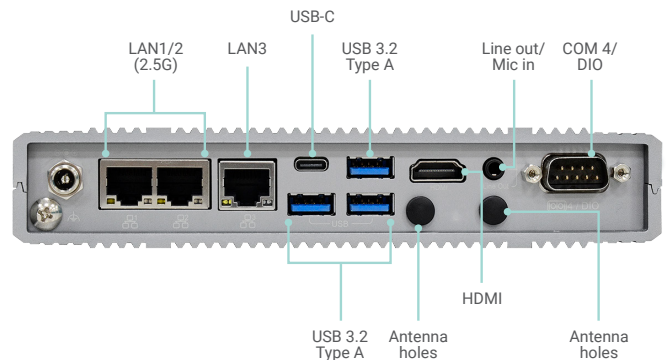


PANEL

System Height = 33mm

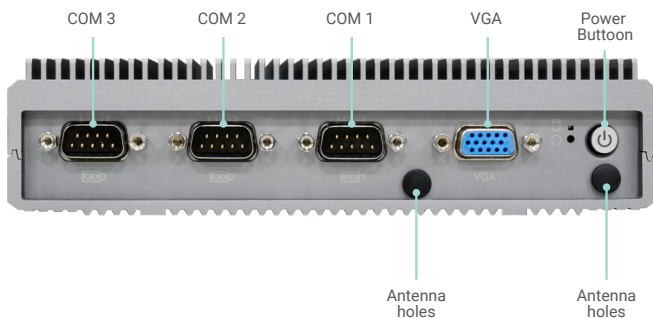


Front View

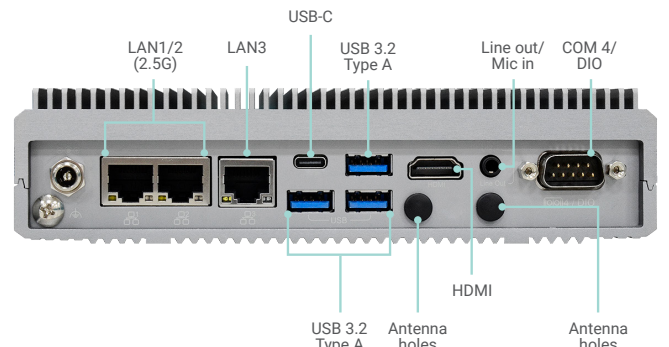


Rear View

System Height = 43mm



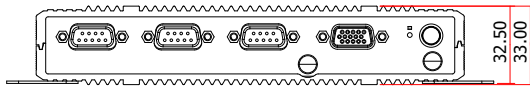
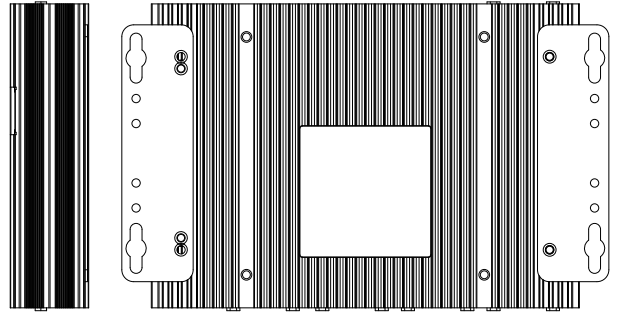
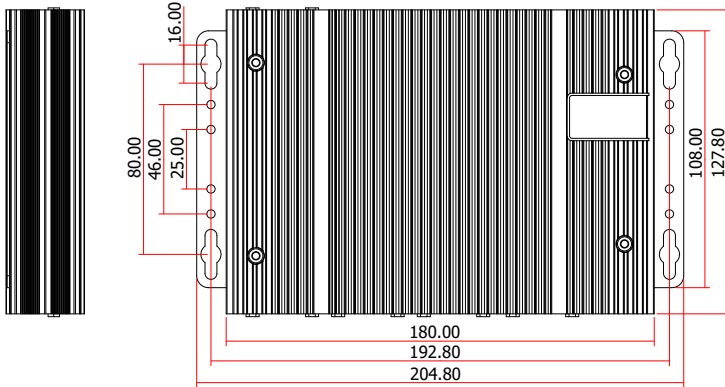
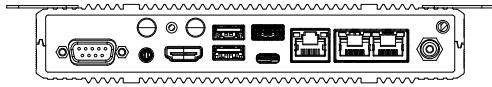
Front View



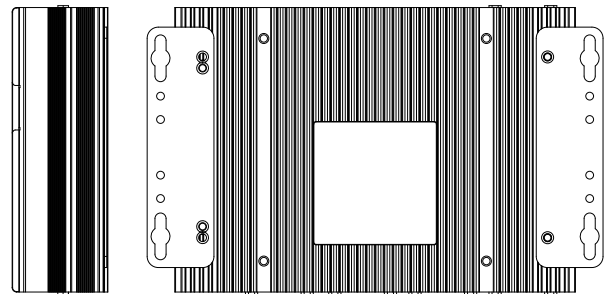
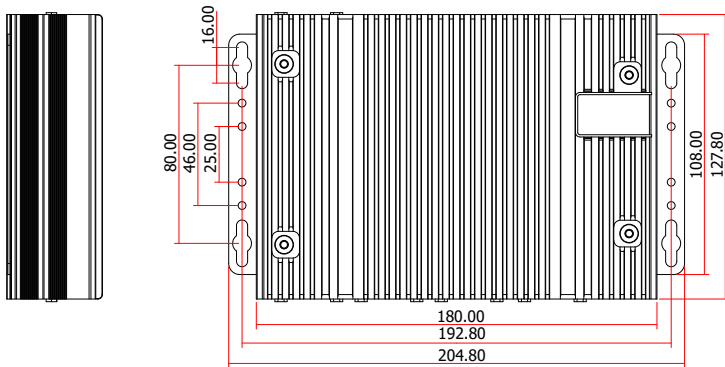
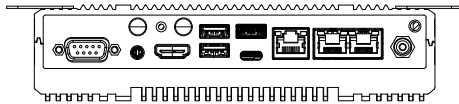
Rear View

DIMENSIONS

System Height = 33mm



System Height = 43mm



SPECIFICATION

SYSTEM	Processor	Intel Alder Lake-N Series Intel PC Client Series Intel® Processor N50 2 Cores, 1.0GHz to 3.4 GHz Intel® Processor N97 4 Cores, 2.0GHz to 2.9 GHz Intel® Processor N200 4 Cores, 1.0GHz to 3.2 GHz Intel® Core™ i3-N305 8 Cores, 1.0GHz to 3.0 GHz Intel® Embedded Series Intel® Atom® X7211E 2 Cores, 1.0GHz to 2.9 GHz Intel® Atom® X7213E 2 Cores, 1.7GHz to 2.9 GHz Intel® Atom® X7425E 4 Cores, 1.5GHz to 2.7 GHz
	Memory	8GB/16GB LPDDR5 4800 Memory down
	BIOS	AMI SPI 256Mbit (supports UEFI boot only)
	GRAPHICS	Controller
GRAPHICS	Feature	Execution Units: Up to 32 EUs 3D API: Open GL 4.6, DirectX12, Vulkan 1.2 (Windows) Mesa 3D, OpenGL 4.6, Vulkan 1.2 (Linux) Precision: FP32, FP16, INT8 Compute: OpenCL 3.0
	Display	1 x VGA 1 x HDMI 1.4 1 x USB-C (DP1.2 Alt. Mode)
STORAGE	Internal	1 x M.2 2280 M key (PClex2/SATA)
	eMMC	eMMC module 32GB/64GB (Opt.)
EXPANSION	Interface	1 x M.2 2230 E key (USB 2.0/PCIe, support CNVi) 1 x M.2 3042/3052 B key (USB 3.0/USB 2.0/PCIe) with SIM 1 x M.2 2242/2280 M key (PClex2/SATA)
AUDIO	Audio Codec	REALTEK ALC888S
ETHERNET	Controller	2 x Intel Ethernet controller i226 2.5GbE (support TSN by Intel Embedded sku.) 1 x Intel Ethernet controller i210 GbE (support DFI OOB function)
LED	Indicators	1 x Power LED 1 x Storage LED
FRONT I/O	Serial	3 x RS232/422/485 DB9 connector
	Antenna Hole	2 x antenna holes
	Display	1 x VGA
	Button	1 x Power Button 1 x Reset Button
REAR I/O	Ethernet	2 x 2.5GbE RJ45 1 x GbE RJ45 (support DFI OOB)
	Serial	1 x RS232/422/485/DIO DB9 connector
	USB	3 x USB 3.2 type A 1 x USB-C 3.2
	Display	1 x HDMI
	Audio	1 x 3.5mm Line out/Mic In
	Antenna Hole	2 x antenna holes
	Storage	1 x MicroSD (Opt.)
WATCHDOG TIMER	Output & Interval	System reset, programmable via software from 1 to 255 seconds
SECURITY	TPM	TPM 2.0 (Opt.)
POWER	Type	Wide range 9~36VDC
	RTC Battery	RTC battery CR2032
	Connector	2.5mm DC Jack
OS SUPPORT	Microsoft	Windows® 11 IoT Enterprise
	Linux	Ubuntu 22.04
ENVIRONMENT	Operating Temperature	0 to 60°C
	Storage Temperature	-40 to 85°C
	Relative Humidity	10 to 90% RH (non-condensing)
MECHANICAL	Construction	Aluminum + Metal
	Mounting	Wall mount, DIN-Rail, VESA Mount
	Dimensions (W x H x D)	180 x 33/43 x 127.8 mm
	Weight	TBD
STANDARDS AND CERTIFICATIONS	Shock (During Operation)	30G, IEC-60068-2-27 MIL-STD-810G
	Vibration (During Operation)	3 Grms, IEC 60068-2-64 MIL-STD-810G
	Certifications	CE, FCC, RoHS, UKCA

ORDERING INFORMATION

Part Number	Sys Height	CPU	Mry. Down	Operating Temp.	I/O	Display	Expansion
750-EC7004-100G	33mm	X7211E	8GB	0 to 60°C	<ul style="list-style-type: none"> • 3 USB-A + 1 USB-C • DFI OOB • 2 2.5GbE + 1 1 GbE • 3 RS232/422/485 via DB9 • 1 RS232/422/485/DIO via DB9 	<ul style="list-style-type: none"> • 1 HDMI • 1 VGA • 1 DP 1.2 Alt. Mode via USB-C 	<ul style="list-style-type: none"> • M.2 M key: PCIe/SATA(auto detect) • M.2 B Key: USB3.0/USB2.0/PCIe • M.2 E Key: USB2.0/PCIe
750-EC7004-600G	43mm	I3-N305	16GB				
750-EC7004-000G		X7425E	16GB				
750-EC7004-500G		N97	8GB				

OPTIONAL ITEMS

Optional Items	Part Number	Description
Adapter	671-106013-000G	60W 12V inlet C14, locable DC Jack 5.5/2.5mm, cable length 1000mm, wide temp.
	671-106012-000G	60W 12V inlet C14, locable DC Jack 5.5/2.5mm, cable length 1500mm
Power Cord	332-700010-201G	Power Cord US 3pin 1830mm Length
	A81-004003-000G	Power Cord EU 2pin 1830mm Length
	A81-000001-000G	Power Cord China 3pin 1830mm Length
	A81-000046-000G	Power Cord JP 3pin 1830mm length (with DFI PSE logo)

PACKING LIST

1 System unit
